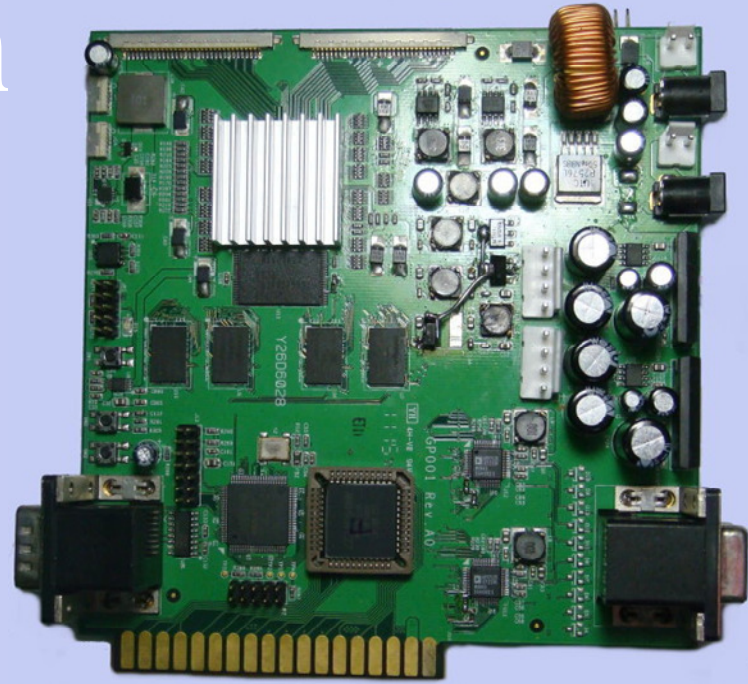


Embedded Video Game Design Make Easy >>

The BeInGame Kit
A Complete Video Game and Slot Machine Total Solution.



Introducing the BeInGame

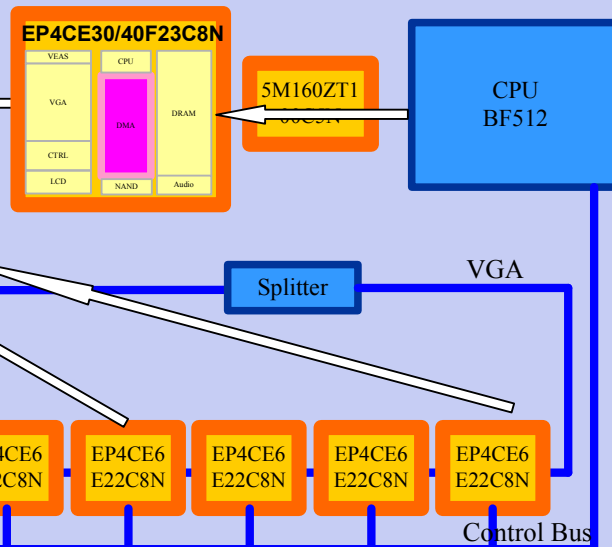
Arrow Taiwan provides you the powerful gaming kit for you to develop video games or video display for slot machine. The turnkey solution provides complete solution to do image processing and display up to 1280x720P with 8 layers and 4 draw engines.

The BeInGame Kit

Experience the how easy to design video game

A powerful image processing from our turnkey design, you can experience the only few code by 8051 MCU to do complicate moving video. Simple and easy to complete your video game design.

Complete Multi-Layer Video Game Solution from Arrow



Features:

- Display up to 1280x720P with 8 VGA layers
- Up to 1,600M-byte processing capability
- 8-bit alpha blending for 32-bit ARGB color
- Support 4 draw-engine and can combine into 2 multi-layer draw-engine
- Embedded command queue for high speed MCU
- Embedded NAND Flash ROM controller to reduce system cost instead of NOR Flash
- Unlimited texture library for drawing
- Very low system cost
- Easy to use by multi-type MCU or 8051
- Full document with SDK programming guide and MCU source code
- Software utility to convert TGA file into ROM file

ALL @BeInGame

